



We make it visible.

User

User ID:

Password:

Login

- > NEW? Register now!
- > Forgot Password?

Applications

- > Biomedical Applications
- > Materials Applications

Microscopes

- > Upright microscopes
- > Inverted microscopes
- > Stereomicroscopes
- > Zoom Microscopes

Computers

- > Computers

Software

- > AxioVision Software
- > ZEN Software

Accessories

- > Accessories

Tools

- > Camera Assistant
- > Filter Assistant
- Objective Assistant

Further Products

- > Service

Search

Carl Zeiss Microscopy, LLC
One Zeiss Drive
Thornwood, NY 10594
United States

micro@zeiss.com
+1 800 233 2343

Visit us on:

- Facebook
- Twitter
- YouTube

Delivery is free.



powered by VeriSign

© 2006-2012 Carl Zeiss

Microscopy & Imaging | Online Shop

Imprint | Privacy | Terms and Conditions | Carl Zeiss International

Carl Zeiss Microscopy, LLC, United States

Homepage | Basket | Contact | Carl Zeiss Worldwide



Objective Assistant

[+ Italiano](#) [+ Español](#)

[+ Objective Assistant](#) [+ List of Objectives](#)

[Print](#)

Objective data

[PDF Brochure: Objectives from Carl Zeiss \(5 MB\)](#)

Objective Class: EC Plan-Neofluar

Best universal objectives, ideal for fluorescence, high transmission →



[→ Transmittance curve](#)

Objective EC Plan-Neofluar 10x/0.3 M27
420340-9901-000

[Basket](#)

Price	→ Price
Magnification	10x
Numerical Aperture	0.3
Working Distance [mm]	5.2
Coverglass Thickness [mm]	0.17
Thread Type	M27x0.75
Immersion	Without Immersion
Field of View [mm]	25
Parfocal Length [mm]	45.06
Long Distance (LD)	
Correction Ring (Korr)	
Iris (Iris)	
Optical System	Infinity Color Corrected System (ICS)
Flatness	★★★★
Color Correction	★★★★

Biomedical Applications

Fluorescence	■
- Multichannel	★★★★
- Ultraviolet Transmission	★★★★
- Infra Red Transmission	★★★

BrightField (H)	■
Differential Interference Contrast (DIC)	★★★★

High Contrast DIC (HC DIC)	
PlasDIC Contrast	■

Phase Contrast (PH)	
VAREL Contrast	
Hoffman Modulation Contrast (HMC)	
Polarization Contrast (POL)	

Materials (Reflected Light) Applications

BrightField (H)	
BrightField/DarkField (HD)	
Reflected Light DIC (RL DIC)	
High Contrast DIC (HC DIC)	
DIC with circular polarized light (C-DIC)	
Total Interference Contrast (TIC)	
Polarization Contrast (POL)	

Options

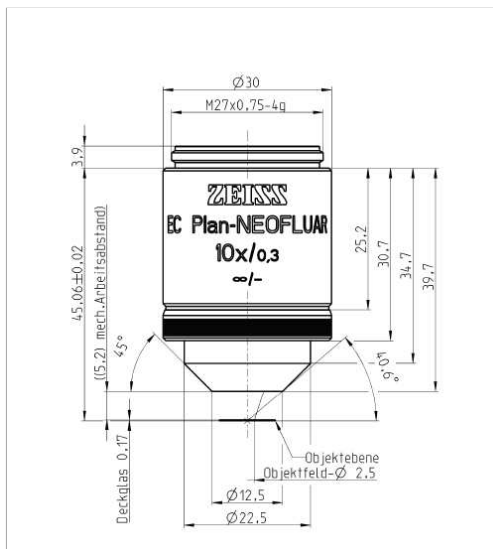
Confocal Microscopy	■
- Ultra Violet	★★★★
- VIS (visible light)	★★★★
NLO-IR / 2 Photon	★★
Total Internal Reflection Fluorescence (TIRF)	
ApoTome	■

Objective EC Plan-Neofluar 10x/0.3 M27



(WD=5.2mm)

Mechanical Dimensions

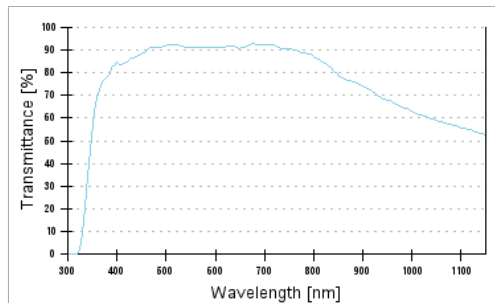


All measures in [mm]

mech. Arbeitsabstand = mechanical working distance
Deckglas = cover glass
Objektebene = object plane
Objektfeld = object field
Ausleuchtung = illumination
Probenzugänglichkeit = specimen accessibility

Transmittance curve

Microdissection



Please note that due to production tolerances, the given values are typical only and not guaranteed.

Fitting Accessories for
420340-9901-000 Objective EC Plan-Neofluar 10x/0.3 M27

DIC sliders



PlasDIC slider A-Plan 10x/0.25
Order Number: 444500-0000-000

[Price](#)

[Compatibility](#) [Basket](#)



DIC slider EC PN 10x/0.30 I, 20x/0.50 II, PA 20x/0.80 II
Order Number: 426940-0000-000

[Price](#)

[Compatibility](#) [Basket](#)

The contents of the basket can be:
+ ordered online
+ printed as a fax order
+ requested as a written quotation
+ saved as a shopping list

Other Accessories



Adapter 30mm with optics and DIC slider mount
Order Number: 424516-9040-000
for adaptation of objectives M27 with parfocal length of 45 mm

[Price](#)

Note: This item is no longer available.

[Compatibility](#)



Adapter 30mm with optics and DIC slider mount
Order Number: 424516-9041-000
for adaptation of objectives M27 with parfocal length of 45mm

[Price](#)

[Compatibility](#) [Basket](#)



Objective ring ACR for objective sleeve cylindrical short
Order Number: 424508-0000-000

[Price](#)

[Compatibility](#) [Basket](#)



Transmission grid L1 ApoTome for Axio Imager
Order Number: 423664-0000-000

[Price](#)

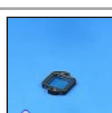
[Compatibility](#) [Basket](#)



Transmission grid PL ApoTome
Order Number: 000000-1151-003
for AxioPlan 2

[Price](#)

[Compatibility](#) [Basket](#)



Transmission grid VL ApoTome
Order Number: 000000-1151-004
for Axio Observer and Axiovert 200

[→ Price](#)

[Compatibility](#) [Basket](#)

|

